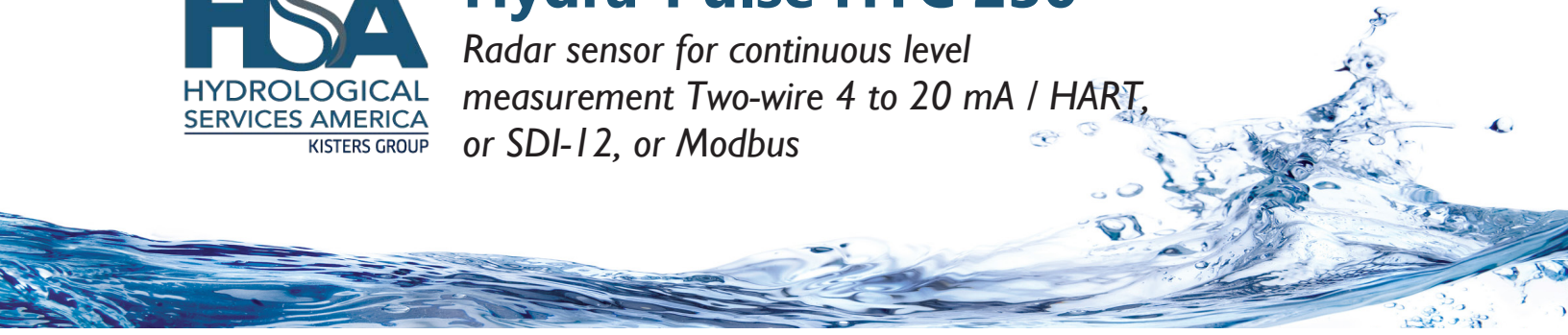


Hydra-Pulse HYC 230

Radar sensor for continuous level measurement Two-wire 4 to 20 mA / HART, or SDI-12, or Modbus



Max. measuring range	98.5 ft (30 m)
Antenna / Material	Integrated antenna system/ pvdf encapsulated
Beam angle	4°
Process fitting / Material	None
Connection for mounting strap	G1½, 1½ NPT, R1½
Process temperature	-40 ... +140 °F
Process pressure	-1 ... +3 bar/-100 ... +300 kPa (-14.5 ... +43.51 psi)
Accuracy	± 2 mm
Frequency range	W-band
Signal output (please specify one)	Two-wire 4 to 20 mA, or SDI-12, or Modbus
Adjustment interface	Via app on smartphone or tablet and Bluetooth
Communication	Bluetooth

OVERVIEW

The Hydra-Pulse HYC 230 is the ideal radar sensor for non-contact level measurement in all standard applications. Typical applications include the measurement of ground water, including wells and tanks; the measurement of surface water including rivers, dams, lakes in fresh and saltwater environments.

Also it can be used in industrial and wastewater applications. The housing is optimized for applications in the water and waste water industry and manufactured of PVDF. Due to the encapsulated cable gland, protection rating IP66/IP68 (3 bar) is achieved.

FEATURES

- Maintenance-free operation due to non-contact 80 GHz radar technology
- Low-cost sensor for simple measuring tasks
- Exact measuring results independent of product, process and ambient conditions

ADJUSTMENT

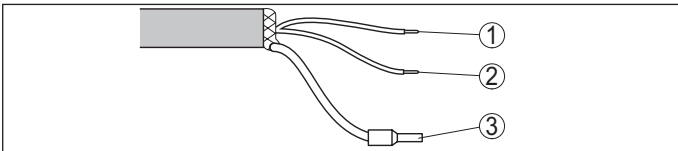
Wireless adjustment via Bluetooth
The Bluetooth version of the device enables wireless connection to smartphones/tablets (iOS/Android) or Windows PCs.



Download our easy to use App for your phone or tablet. Search for "Wireless Device Configurator" at the App Store or on Google Play.

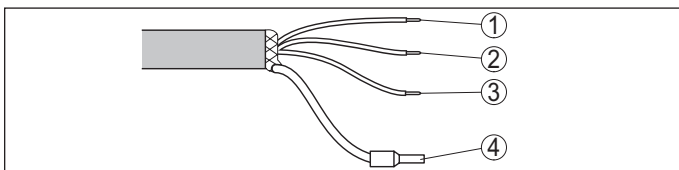


ELECTRICAL CONNECTION



Wire assignment in permanently connected connection cable. Two wire 4 to 20 mA / HART version.

	Wire color	Function	Polarity
1	Brown	Voltage supply, signal output	+
2	Blue	Voltage supply, signal output	-
3		Shielding	



Wire assignment in permanently connected connection cable. SDI-12 version.

	Wire color	Function	Polarity
1	Brown	Voltage supply	+
2	Blue	Voltage supply	-
3	White	SDI Data	+
4		Shielding	

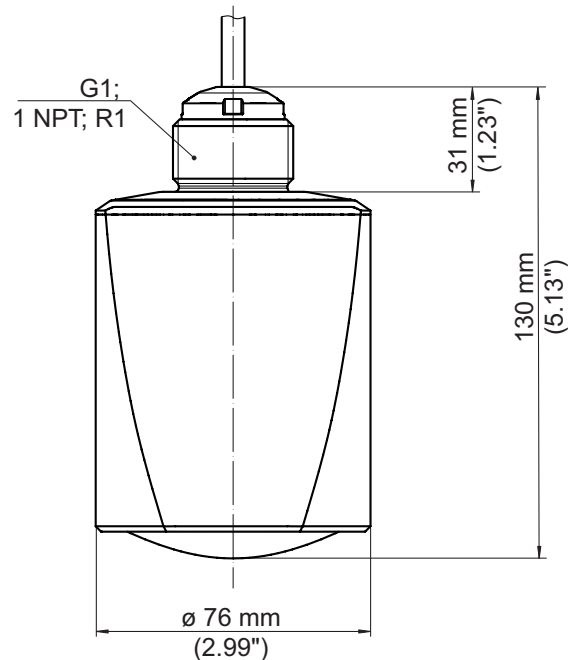
MOUNTING



Mounting strap with adjustable sensor holder for sensors with axial cable outlet - Wall mounting (example)

You can find further information on the mounting accessory on our website (www.hydrologicalusa.com).

DIMENSIONS



Hydrological Services America / Kisters Group

3550 23rd Ave S. Suite 5
Lake Worth, FL 33460

Phone: +1 (561) 459-4876 Fax: +1 (561) 582-0049

email: sales-hsa@kisters.net

www.hydrologicalusa.com

